

The image features a large, stylized graphic of a spiral wound gasket. The gasket is shown in a perspective view, with a thick, metallic-looking band spiraling around a central core. The background is a gradient of light gray to white, with a large, curved yellow shape on the right side that overlaps the gasket. The text 'SPIRAL Wound Gaskets' is centered in the lower half of the image. The word 'SPIRAL' is in a large, bold, yellow font, and 'Wound Gaskets' is in a smaller, bold, black font. Below this, the company name 'G.P. GASKETS' is enclosed in a yellow rounded rectangle, and the tagline 'Leader in Gasket Provider' is written in a smaller black font at the bottom left.

SPIRAL ***Wound Gaskets***

G.P. GASKETS

Leader in Gasket Provider

Overview

G.P.Gaskets is offering a full range of Spiral Wound Gaskets. The objective is to make available in India, Spiral Wound Gaskets manufactured to the most exacting international standards such as API 601, ASME B16.20, ASME B16.47 A & B series, DIN, British Standards, JIS standards and others as specified.

Superior quality of G.P.Gaskets Spiral Wound Gaskets meeting international standards, is achieved by means of imported computer controlled winding machines, which ensure total repeatability in such critical areas as:

- Winding profile
- Tension of winding
- winding pressure
- Number of primary, secondary and tertiary windings
- Number of weld points
- Weld penetration

All of these are factors vital for control of manufacturing spiral wound gaskets for critical service applications.

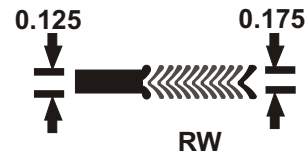
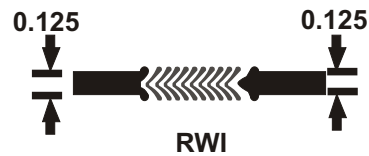
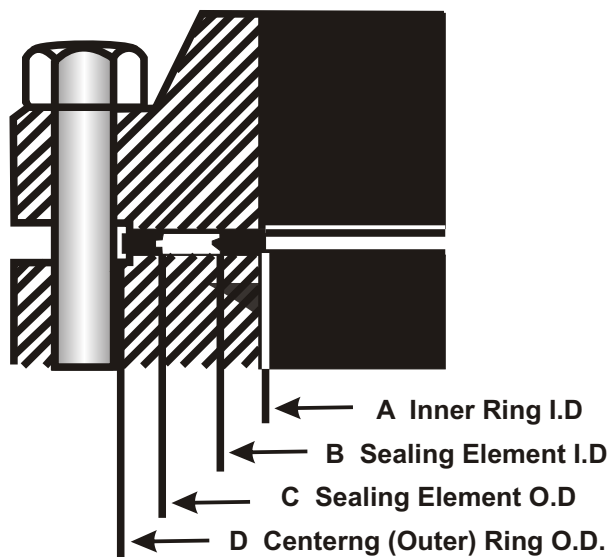


G.P. GASKETS

Leader in Gasket Provider

Engineering Data

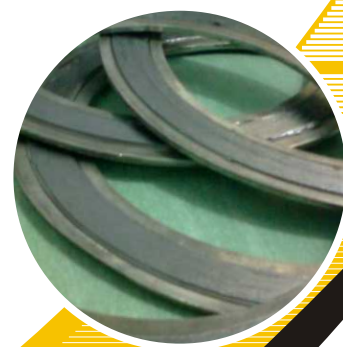
Styles RW, RWI Dimensions 1/4" to 24" Flanges
ASME B16.20 Gaskets for ASME B16.5 Flanges



Class 150

Size NPS	Inner Ring	Sealing Element		Outer Ring
	Inside (A) Diameter	Inside (B) Diameter	Outside © Diameter	Outside (D) Diameter
1/4*	—	0.50	0.88	1.75
1/ 2	0.56	0.75	1.25	1.88
3/4	0.81	1.00	1.56	2.25
1	1.06	1.25	1.88	2.63
1-1/4	1.50	1.88	2.38	3.00
1-1/2	1.75	2.13	2.75	3.38
2	2.19	2.75	3.38	4.13
2-1/2	2.62	3.25	3.88	4.88
3	3.19	4.00	4.75	5.38
3-1/2*	—	4.50	5.25	6.38
4	4.19	5.00	5.88	6.88
4-1/2*	—	5.50	6.50	7.00
5	5.19	6.13	7.00	7.75
6	6.19	7.19	8.25	8.75
8	8.50	9.19	10.38	11.00
10	10.56	11.31	12.50	13.38
12	12.50	13.38	14.75	16.13
14	13.75	14.63	16.00	17.75
16	15.75	16.63	18.25	20.25
18	17.69	18.69	20.75	21.63
20	19.69	20.69	22.75	23.88
24	23.75	24.75	27.00	28.25

* ASME B16.20 does not include dimensions for NPS 1/4, 3-1/2, or 4-1/2, or Class 400 flanges up to NPS 3 and Class 900 flanges up to NPS 2-1/2. Dimensions in inches.



G.P. GASKETS

Leader in Gasket Provider

Class 300

Size NPS	Inner Ring	Sealing Element		Outer Ring
	Inside (A) Diameter	Inside (B) Diameter	Outside © Diameter	Outside (D) Diameter
1/4*	—	0.50	0.88	1.75
1/2	0.56	0.75	1.25	2.13
3/4	0.81	1.00	1.56	2.63
1	1.06	1.25	1.88	2.88
1-1/4	1.50	1.88	2.38	3.25
1-1/2	1.75	2.13	2.75	3.75
2	2.19	2.75	3.38	4.38
2-1/2	2.62	3.25	3.88	5.13
3	3.19	4.00	4.75	5.88
3-1/2*	—	4.50	5.25	6.50
4	4.19	5.00	5.88	7.13
4-1/2*	—	5.50	6.50	7.75
5	5.19	6.13	7.00	8.50
6	6.19	7.19	8.25	9.88
8	8.50	9.19	10.38	12.13
10	10.56	11.31	12.50	14.25
12	12.50	13.38	14.75	16.63
14	13.75	14.63	16.00	19.13
16	15.75	16.63	18.25	21.25
18	17.69	18.69	20.75	23.50
20	19.69	20.69	22.75	25.75
24	23.75	24.75	27.00	30.50

Class 400

Size NPS	Inner Ring	Sealing Element		Outer Ring
	Inside (A) Diameter	Inside (B) Diameter	Outside © Diameter	Outside (D) Diameter
1/4*	—	0.50	0.88	1.75
1/2*	—	0.75	1.25	2.13
3/4*	—	1.00	1.56	2.63
1*	—	1.25	1.88	2.88
1-1/4*	—	1.88	2.38	3.25
1-1/2*	—	2.13	2.75	3.75
2*	—	2.75	3.38	4.38
2-1/2*	—	3.25	3.88	5.13
3*	—	4.00	4.75	5.88
3-1/2*	—	4.13	5.25	6.38
4	4.19	4.75	5.88	7.00
4-1/2*	—	5.31	6.50	7.63
5	5.19	5.81	7.00	8.38
6	6.19	6.88	8.25	9.75
8	8.25	8.88	10.38	12.00
10	10.25	10.81	12.50	14.13
12	12.50	12.88	14.75	16.50
14	13.75	14.25	16.00	19.00
16	15.75	16.25	18.25	21.13
18	17.69	18.50	20.75	23.38
20	19.69	20.50	22.75	25.50
24	23.75	24.75	27.00	30.25

Class 600

Size NPS	Inner Ring	Sealing Element		Outer Ring
	Inside (A) Diameter	Inside (B) Diameter	Outside © Diameter	Outside (D) Diameter
1/4*	—	0.50	0.88	1.75
1/2	0.56	0.75	1.25	2.13
3/4	0.81	1.00	1.56	2.63
1	1.06	1.25	1.88	2.88
1-1/4	1.50	1.88	2.38	3.25
1-1/2	1.75	2.13	2.75	3.75
2	2.19	2.75	3.38	4.38
2-1/2	2.62	3.25	3.88	5.13
3	3.19	4.00	4.75	5.88
3-1/2*	—	4.13	5.25	6.38
4	4.19	4.75	5.88	7.63
4-1/2*	—	5.31	6.50	8.25
5	5.19	5.81	7.00	9.50
6	6.19	6.88	8.25	10.50
8	8.25	8.88	10.38	12.63
10	10.25	10.81	12.50	15.75
12	12.50	12.88	14.75	18.00

Size NPS	Inner Ring	Sealing Element		Outer Ring
	Inside (A) Diameter	Inside (B) Diameter	Outside © Diameter	Outside (D) Diameter
14	13.75	14.25	16.00	19.38
16	15.75	16.25	18.25	22.25
18	17.69	18.50	20.75	24.13
20	19.69	20.50	22.75	26.88
24	23.75	24.75	27.00	31.13

* ASME B16.20 does not include dimensions for NPS 1/4, 3-1/2, or 4-1/2, or Class 400 flanges up to NPS 3 and Class 900 flanges up to NPS 2-1/2. Dimensions in inches.

G.P. GASKETS

Leader in Gasket Provider

Class 900

Size NPS	Inner Ring	Sealing Element		Outer Ring
	Inside (A) Diameter	Inside (B) Diameter	Outside © Diameter	Outside (D) Diameter
1/2*	—	0.75	1.25	2.50
3/4*	—	1.00	1.56	2.75
1*	—	1.25	1.88	3.13
1-1/4*	—	1.56	2.38	3.50
1-1/2*	—	1.88	2.75	3.88
2*	—	2.31	3.38	5.63
2-1/2*	—	2.75	3.88	6.50
3	3.19	3.75	4.75	6.63
3-1/2*	—	4.13	5.25	7.50
4	4.19	4.75	5.88	8.13
4-1/2*	—	5.31	6.50	9.38
5	5.19	5.81	7.00	9.75
6	6.19	6.88	8.25	11.38
8	7.75	8.75	10.13	14.13
10	9.69	10.88	12.25	17.13
12	11.50	12.75	14.50	19.63
14	12.63	14.00	15.75	20.50
16	14.75	16.25	18.00	22.63
18	16.75	18.25	20.50	25.13
20	19.00	20.50	22.50	27.50
24	23.25	24.75	26.75	33.00

Class 1500

Size NPS	Inner Ring	Sealing Element		Outer Ring
	Inside (A) Diameter	Inside (B) Diameter	Outside © Diameter	Outside (D) Diameter
1/2	0.56	0.75	1.25	2.50
3/4	0.81	1.00	1.56	2.75
1	1.06	1.25	1.88	3.13
1-1/4	1.31	1.56	2.38	3.50
1-1/2	1.63	1.88	2.75	3.88
2	2.06	2.31	3.38	5.63
2-1/2	2.50	2.75	3.88	6.50
3	3.19	3.63	4.75	6.88
3-1/2*	—	4.13	5.25	7.38
4	4.19	4.63	5.88	8.25
4-1/2*	—	5.31	6.50	9.13
5	5.19	5.63	7.00	10.00
6	6.19	6.75	8.25	11.13
8	7.75	8.50	10.13	13.88
10	9.69	10.50	12.25	17.13
12	11.50	12.75	14.50	20.50
14	12.63	14.25	15.75	22.75
16	14.50	16.00	18.00	25.25
18	16.75	18.25	20.50	27.75
20	18.75	20.25	22.50	29.75
24	22.75	24.25	26.75	35.50

Class 2500

Size NPS	Inner Ring	Sealing Element		Outer Ring
	Inside (A) Diameter	Inside (B) Diameter	Outside © Diameter	Outside (D) Diameter
1/2	0.56	0.75	1.25	2.75
3/4	0.81	1.00	1.56	3.00
1	1.06	1.25	1.88	3.38
1-1/4	1.31	1.56	2.38	4.13
1-1/2	1.63	1.88	2.75	4.63
2	2.06	2.31	3.38	5.75
2-1/2	2.50	2.75	3.88	6.63
3	3.19	3.63	4.75	7.75
4	4.19	4.63	5.88	9.25
5	5.19	5.63	7.00	11.00
6	6.19	6.75	8.25	12.50
8	7.75	8.50	10.13	15.25
10	9.69	10.63	12.25	18.75
12	11.50	12.50	14.50	21.63

* ASME B16.20 does not include dimensions for NPS 1/4, 3-1/2, or 4-1/2, or Class 400 flanges up to NPS 3 and Class 900 flanges up to NPS 2-1/2. Dimensions in inches.

Notes:

1. The inner ring thickness shall be 0.117-0.131 inches.
2. For sizes NPS 1-1/4 thru NPS 3, the inside diameter tolerance is ± 0.03 inches, for larger sizes, the inside diameter tolerance is ± 0.06 inches.
3. There are no Class 400 flanges NPS 1/2 thru NPS 3 (use Class 600), Class 900 flanges NPS 1/2 thru NPS 2-1/2 (use Class 1500), or Class 2500 flanges NPS 14 or larger.
4. The inner ring inside diameters shown for NPS 1-1/4 thru 2-1/2 in Class 1500 and 2500 will produce inner ring widths of 0.12 inches, a practical minimum for production purposes.
5. Inner rings are required for Class 900, NPS 24 gaskets, Class 1500 NPS 12 thru NPS 24 gaskets, and Class 2500 NPS 4 thru NPS 12 gaskets.

G.P. GASKETS

Leader in Gasket Provider

G.P. GASKETS

Leader in Gasket Provider

OFFICE:

Plot No. C/1, Sahakar Society,
Shivaji Nagar, A. G. Link Rod,
Ghatkopar (West)
Mumbai - 400 084
Maharashtra (INDIA)

Telephone:

+91-22-2515 7180 / 2509 1479

Cell:

098920 04224 / 98675 48499

Email:

info@gpgaskets.com, sales@gpgaskets.com

Website:

www.gpgaskets.com